

# L-36

**Class I, Div. 2**  
**Groups B,C,D**  
**Class II, Div. 1 and 2**  
**Groups F\*,G**  
**Class III**  
**Class I, Zone 2, Group IIC T3**  
**NEMA 3,3R,4†,4X†,9F\*G,12**

## Applications

● Locations where receptacles are used with stationary or portable electrically operated devices such as lighting systems, conveyors, heaters, motor generator sets, air conditioners, compressors, and pumps.

## Features

- Factory Sealed; No external seals required.
- Available in fused and unfused versions.
- UL Listed for use with Appleton ACP plugs.
- UL Classified for use with Crouse-Hinds APJ plugs.
- Positive polarization; only plugs of the same style, number of poles, and amperage rating may be used with these receptacles.
- Patented "Sure-Lock" mechanism. Plug must be inserted into the receptacle before the switch can be turned on. Plug cannot be withdrawn unless the switch is in the off position.
- Cover bolts are stainless steel and captive.
- Standard epoxy powder coating inside and outside delivers exceptional corrosion resistance.
- Insulated, dual-color polymer operating handle clearly indicates the switch being energized. Ergonomically designed handle is made of high-impact polymer material for exceptional ruggedness, durability and corrosion resistance.
- Utilizes Style 2 grounding. (See page D4)
- Removable hinged cover allows for ease of installation and maintenance.
- Short circuit withstand rated to 200,000 RMS Symmetrical Amperes (Class J Fusing).
- Short circuit withstand rated to 10,000 RMS symmetrical amperes (unfused).
- Conduit entry is drilled and tapped to 1-1/2". Reducer bushings 1-1/2"-1-1/4" and 1-1/2"-1" provided at no additional cost.
- Stainless Steel key-hole mounting feet for easy installation.

## MD2SR Interlocked Switched Receptacles

Dead Front Interlocked Construction; Factory Sealed;  
No External Seals Required



- Accommodates #8 – #4/0 AWG copper wire.
- Unit is equipped with defeatable door interlock which allows emergency access when switch is energized.
- Cover can be padlocked closed.
- Operating handle can be locked in the OFF position with provision to lock in the ON position.

## Standard Materials

- Enclosure— copper-free aluminum with epoxy powder coating inside and outside.
- Operating handle—High impact polymer.
- Hardware—Stainless Steel.

## Options

- One normally opened, one normally closed auxiliary switch, add suffix **-AUX**.
- Special polarization add suffix **-P4**.

## Compliances

- UL Listed, UL File E10784
- UL Standard 498, 1682, 50, 98

\* Do not use where electrically conductive dusts are present (most coal dusts are not electrically conductive).

† Flip cover suitable for NEMA 3, 3R only. Select screw cover for 4, 4X. Both covers are included with product. NEMA 4 rating maintained with Appleton NEMA 4 plug installed.

**Class I, Div 2**  
**Groups B,C,D**  
**Class II, Div 1 and 2**  
**Groups F\*,G**  
**Class III**  
**Class I, Zone 2, Group IIC T3**  
**NEMA 3,3R,4†,4X†,9F\*G,12**

## MD2SR Interlocked Switched Receptacles

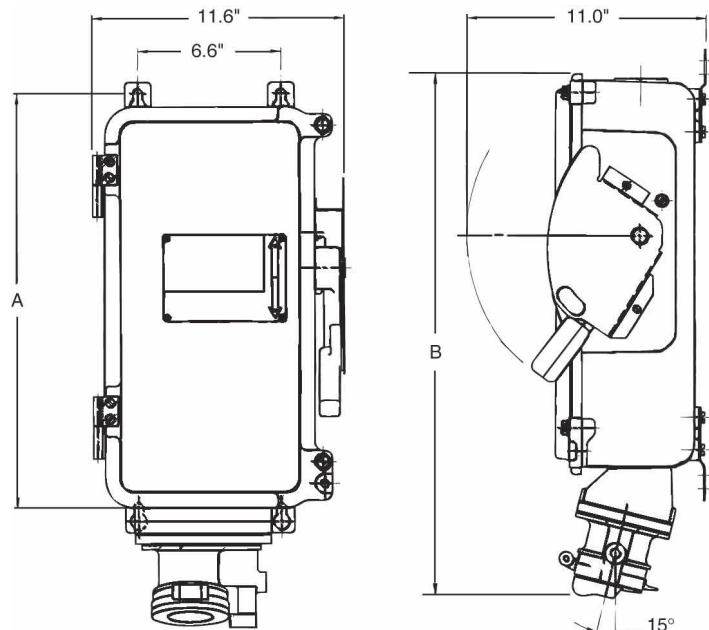
Dead-front interlocked construction; Factory sealed;  
 No external seals required.

Amps	Fusing	Wires/Poles	Max HP	Mating Plug	Catalog Number
30	Non-Fused	2W, 3P	3 HP @ 240VAC	ACP3023BC	MD2SR3023U
30	Fused	2W, 3P	3 HP @ 240VAC	ACP3023BC	MD2SR3023F
30	Non-Fused	3W, 4P	20 HP @ 600VAC	ACP3034BC	MD2SR3034U
30	Fused	3W, 4P	30 HP @ 600VAC	ACP3034BC	MD2SR3034F
60	Non-Fused	2W, 3P	7.5 HP @ 240VAC	ACP6023BC	MD2SR6023U
60	Fused	2W, 3P	10 HP @ 240VAC	ACP6023BC	MD2SR6023F
60	Non-Fused	3W, 4P	50 HP @ 600VAC	ACP6034BC	MD2SR6034U
60	Fused	3W, 4P	50 HP @ 600VAC	ACP6034BC	MD2SR6034F
100	Non-Fused	2W, 3P	10 HP @ 240VAC	ACP1023CD	MD2SR1023U
100	Fused	2W, 3P	10 HP @ 240VAC	ACP1023CD	MD2SR1023F
100	Non-Fused	3W, 4P	50 HP @ 600VAC	ACP1034CD	MD2SR1034U
100	Fused	3W, 4P	50 HP @ 600VAC	ACP1034CD	MD2SR1034F

### MD2SR Interlocked Receptacle with Enclosed Switch

Shown with Flip Cover

Catalog No.	A	B
MD2SR3023U	19.25"	24.33"
MD2SR3023F	19.25"	24.33"
MD2SR3034U	19.25"	24.33"
MD2SR3034F	19.25"	24.33"
MD2SR6023U	19.25"	24.33"
MD2SR6023F	19.25"	24.33"
MD2SR6034U	19.25"	24.33"
MD2SR6034F	19.25"	24.33"
MD2SR1023U	19.25"	24.33"
MD2SR1023F	22.88"	27.96"
MD2SR1034U	19.25"	24.33"
MD2SR1034F	22.88"	27.96"



\* Do not use where electrically conductive dusts are present (most coal dusts are not electrically conductive).  
 † Flip cover suitable for NEMA 3, 3R only. Select screw cover for NEMA 4, 4X. Both covers are included with product.  
 ◆ Fused units contain fuse holders; fuses not included.